



**Less Brittle, Less Expensive, Less Environmental Impact**

# More Efficient, More Flexible, More Product Protection

Fibreform molded fibre corners are the smart choice for protecting windows, doors, shutters, countertops and cabinets during shipping.

Stronger, more resilient materials provide your product with superior protection that stays in place during shipping...without cracking or breaking.

Easily recyclable, biodegradable and completely non-toxic materials make handling and disposal safe, easy and inexpensive. Lightweight, nestable molded fiber increases handling, transportation and storage efficiency.

Corners are ready-to-use with no folding or assembly required. A wide variety of standard items are available. Custom sizes and designs are provided on request.

Fibreform corners are the most cost-effective inner packaging available with the quickest response times in our industry.

We're the one-stop pulp molding resource that gives you more efficiency, more flexibility and more product protection for less cost. That's smart packaging.

- Strong for maximum product protection
- Lightweight for inexpensive handling
- Non-brittle for eliminating cracking
- Non-toxic for easy and safe handling and disposal
- Nestable for efficient use of floor space
- Stays in place during shipping
- Made from post-consumer recycled paper products
- Recyclable & biodegradable

**Pulp  
Molding**

**FIBREFORM**



**Superior Performance with  
Minimal Environmental Impact**

# The Products and the Service You Need, When You Need It.

*Fibreform produces high quality molded pulp protective packaging products. Save valuable time and energy by using our one-stop pulp molding resource.*

**Customer Service** We continuously search for ways to provide better products and better response to your needs. From engineering and mold making to quick turn-around and on-time delivery, you'll have the products and the service you need, when you need it.

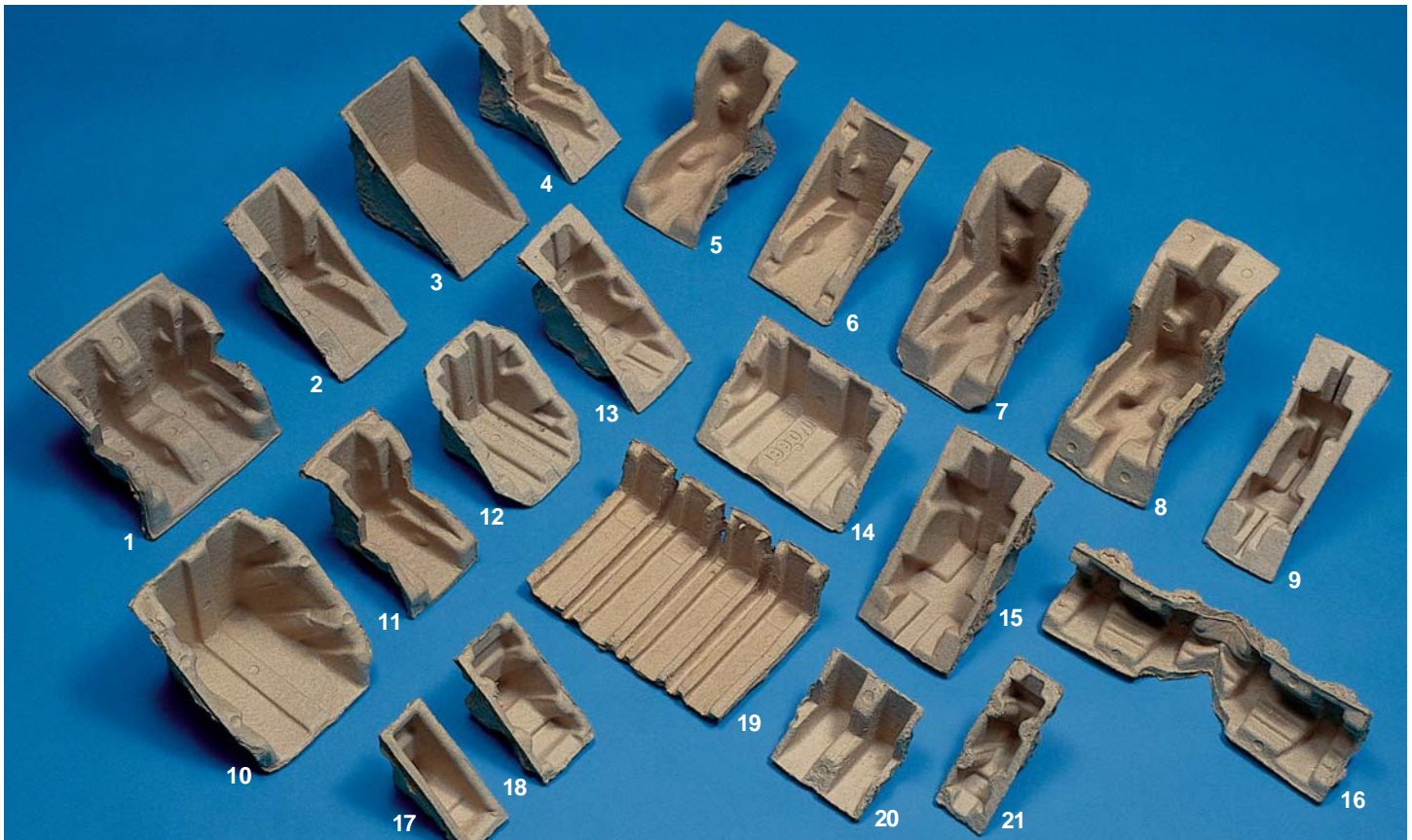
## **Custom Design & Engineering**

We're known for consistently creating custom design solutions that provide the highest level of quality, performance and cost-effectiveness.

## **Shipping**

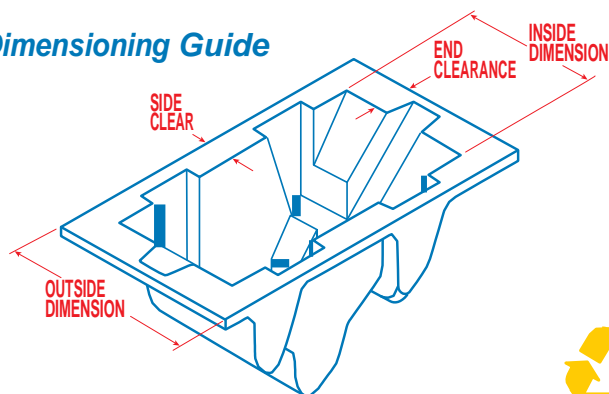
Manufacturing facilities in Wisconsin and Kentucky ensure convenient, cost-effective, reliable, on-time delivery. We ship it the way you need it shipped, when you need it shipped.

## Stock Window & Door Corners



Custom sizes and designs are also available.

## Dimensioning Guide



## FIBREFORM CONTAINERS, INC.

(262) 251-1901

Fax: (262) 251-1941

N115 W19255 Edison Dr.  
Germantown, WI 53022

106 Adena Drive  
Mt. Sterling, KY 40353

