

High Performance Series* Corner Protectors

Fibreform produces high quality molded pulp protective packaging products. Save valuable time and energy by using our one-stop pulp molding resource.



Nesting maximizes floor space efficiency

Fibreform High Performance Series molded fibre corners are the smart choice for protecting heavy products during shipping.

More clearance and high strength design provide your product with superior protection that stays in place during shipping...without cracking or breaking.

The patented break away design of the High Performance Series corners provide increased efficiency on your packing line. All four corners are grasped with one hand and easily broken apart as needed—significantly reducing the motions needed to reach and position the corners.

Three stock sizes are available with custom sizes and designs provided on request.

Recyclable, biodegradable and completely non-toxic materials make handling and disposal safe and easy. Lightweight, nestable molded fiber increases handling, transportation and storage efficiency.

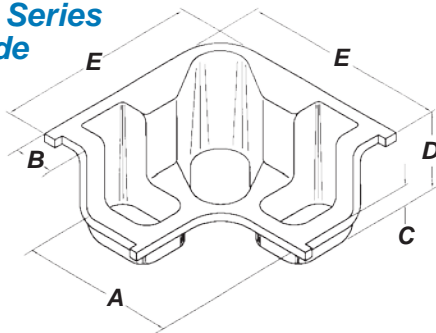
Fibreform corners are the choice for your cost-effective inner packaging. We're the one-stop pulp molding resource that gives you more efficiency and more strength.

That's smart packaging.

Stock Sizes		HPS01	HPS02	HPS03	HPSA1*
Edge Cover	A	3.000	4.500	4.750	4.750/7.500
Side Clear	B	1.250	1.250	1.875	0.750
Bottom Clear	C	1.250	1.250	1.875	0.750
Total Height	D	3.250	3.250	4.250	2.500
Total Length	E	4.750	6.000	6.750	5.500/8.250

Custom sizes and designs are also available.
 * Angle-type corner with a long side and a short side
 ** Patent # 5,678,692

High Performance Series Dimensioning Guide



Combine High Performance Series corners with stock angle pads and pyramidal corners.



FIBREFORM CONTAINERS, INC.

Phone: (262) 251-1901

Fax: (262) 251-1941

N115 W19255 Edison Dr., Germantown, WI 53022

106 Adena Dr., Mt. Sterling, KY 40353