



Less Brittle, Less Expensive, Less Environmental Impact

More Efficient, More Flexible, More Product Protection

Fibreform molded fibre corners are the smart choice for protecting windows, doors, shutters, counter-tops and cabinets during shipping.

Stronger, more resilient materials provide your product with superior protection that stays in place during shipping...without cracking or breaking.

Easily recyclable, biodegradable and completely non-toxic materials make handling and disposal safe, easy and inexpensive. Lightweight, nestable molded fiber increases handling, transportation and storage efficiency.

Corners are ready-to-use with no folding or assembly required. A wide variety of standard items are available. Custom sizes and designs are provided on request.

Fibreform corners are the most cost-effective inner packaging available with the quickest response times in our industry.

We're the one-stop pulp molding resource that gives you more efficiency, more flexibility and more product protection for less cost. That's smart packaging.

- Strong for maximum product protection
- Lightweight for inexpensive handling
- Non-brittle for eliminating cracking
- Non-toxic for easy and safe handling and disposal
- Nestable for efficient use of floor space
- Stays in place during shipping
- Made from post-consumer recycled paper products
- Recyclable & biodegradable

**Pulp
Molding**

FIBREFORM



*Superior Performance with
Minimal Environmental Impact*



The Products and the Service You Need, When You Need It.

Fibreform produces high quality molded pulp protective packaging products. Save valuable time and energy by using our one-stop pulp molding resource.

Customer Service We continuously search for ways to provide better products and better response to your needs. From engineering and mold making to quick turn-around and on-time delivery, you'll have the products and the service you need, when you need it.

Custom Design & Engineering

We're known for consistently creating custom design solutions that provide the highest level of quality, performance and cost-effectiveness.

Shipping

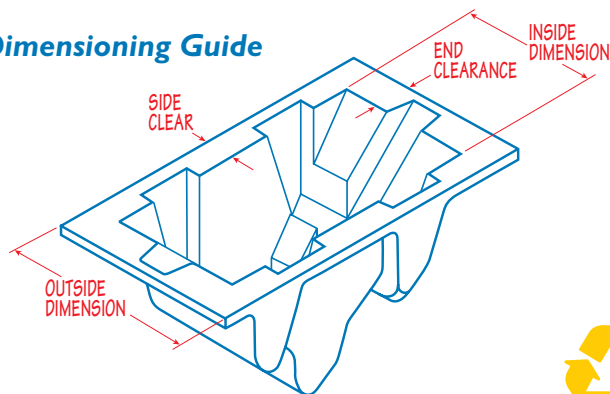
Manufacturing facilities in Wisconsin and Kentucky ensure convenient, cost-effective, reliable, on-time delivery. We ship it the way you need it shipped, when you need it shipped.

Stock Window & Door Corners



Custom sizes and designs are also available.

Dimensioning Guide



FIBREFORM CONTAINERS, INC.

(414) 251-1901

Fax: (414) 251-1941

1115 W19255 Edison Dr.
Germantown, WI 53022

106 Adena Drive
Mt. Sterling, KY 40353

